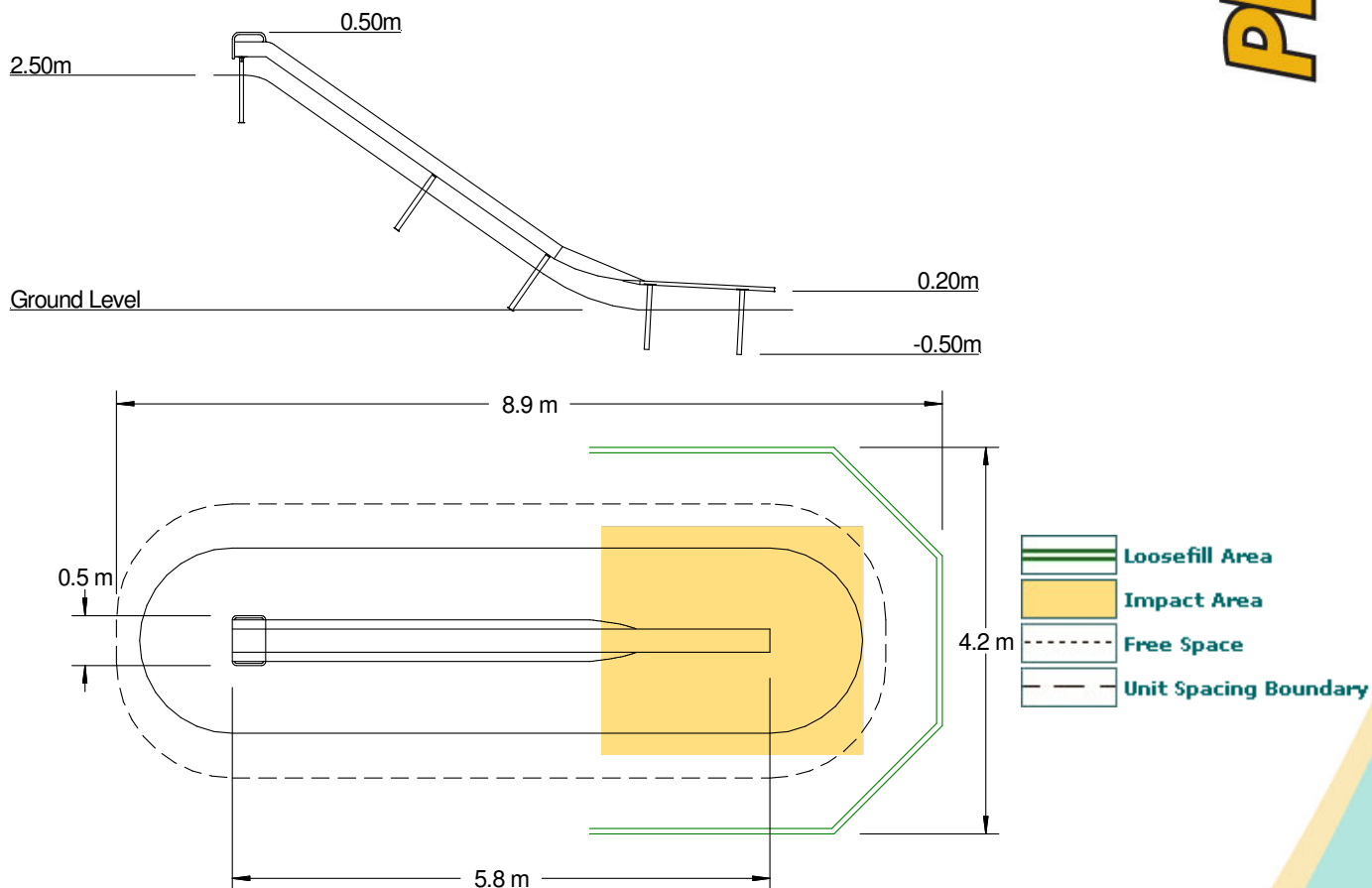


## Traditional Play – Embankment Slide (2.5m)



### Technical Information

#### Equipment Dimensions

Length / Width / Height **5.8m x 0.5m x 0.5m**

Surfacing and Area Required

Minimum Space Required L/W/H **8.9m x 4.2m x 2.8m**

Max Gradient of Ground **35deg (1 in 4)**

Free Height of Fall **1.0m**

Impact Area - Wetpour **6.90m<sup>2</sup>**

Loosefill at 250mm **4m<sup>3</sup>**

Bark / Cushionfall / Sand

Safagrass Tiles (1m x 1.5m) **12m<sup>2</sup>**

#### Installation Information

Overall Weight **95kg**

Heaviest Part **80kg**

Largest Part **6.6m x 0.9m x 0.6m**

Longest Part **6.6m**

Concrete Required **0.2m<sup>3</sup>**



KITEMARKED TO BS EN 1176