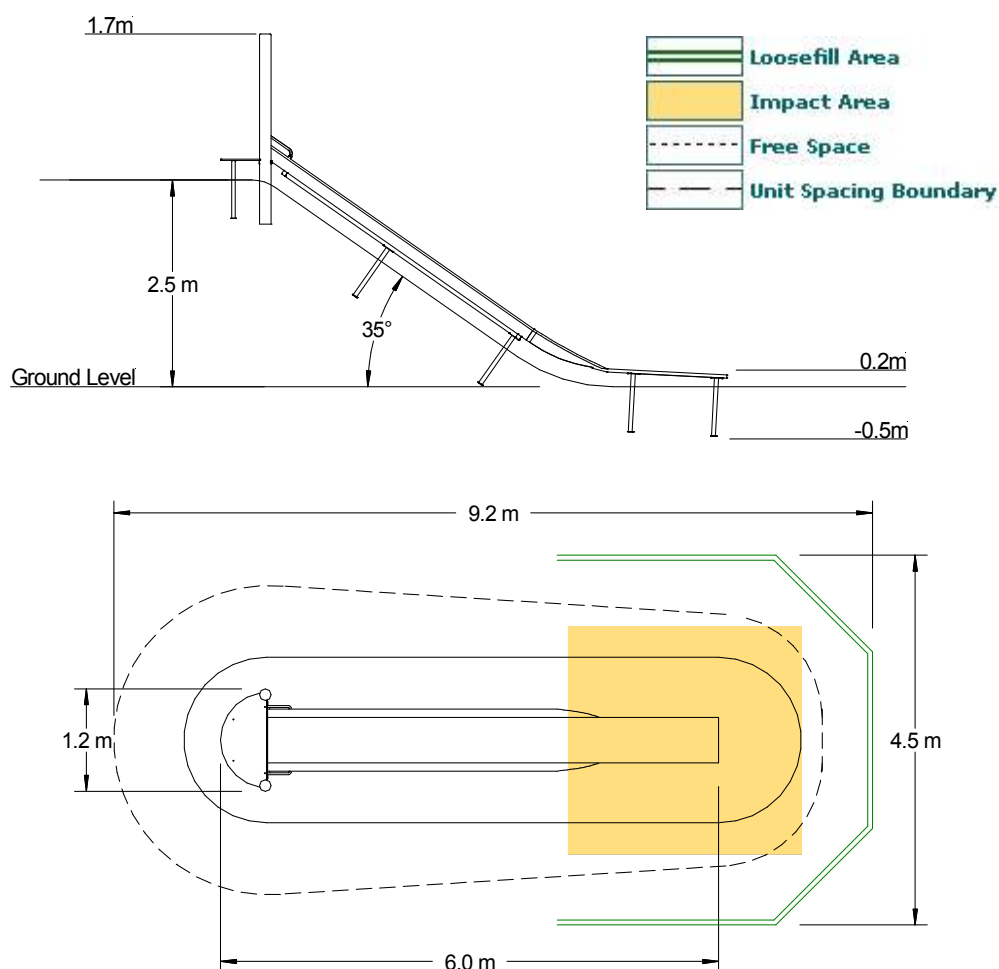


Traditional Play – Embankment Wide Slide (2.5m)



Technical Information

Equipment Dimensions

Length / Width / Height	6.0m x 1.2m x 1.7m
Surfacing and Area Required	
Minimum Space Required L/W/H	9.2m x 4.5m x 2.9m
Max Gradient of Ground	35 degrees (1 in 1.4m)
Free Height of Fall	1.0m
Impact Area - Wetpour	7.80m ²
Loosefill at 250mm	4m ³
Bark / Cushionfall / Sand	
Safagrass Tiles (1m x 1.5m)	18m ²

Installation Information

Overall Weight	239kg
Heaviest Part	142kg
Largest Part	6.2m x 1.2m x 0.6m
Longest Part	6.2m
Concrete Required	0.4m ³



KITEMARKED TO BS EN 1176