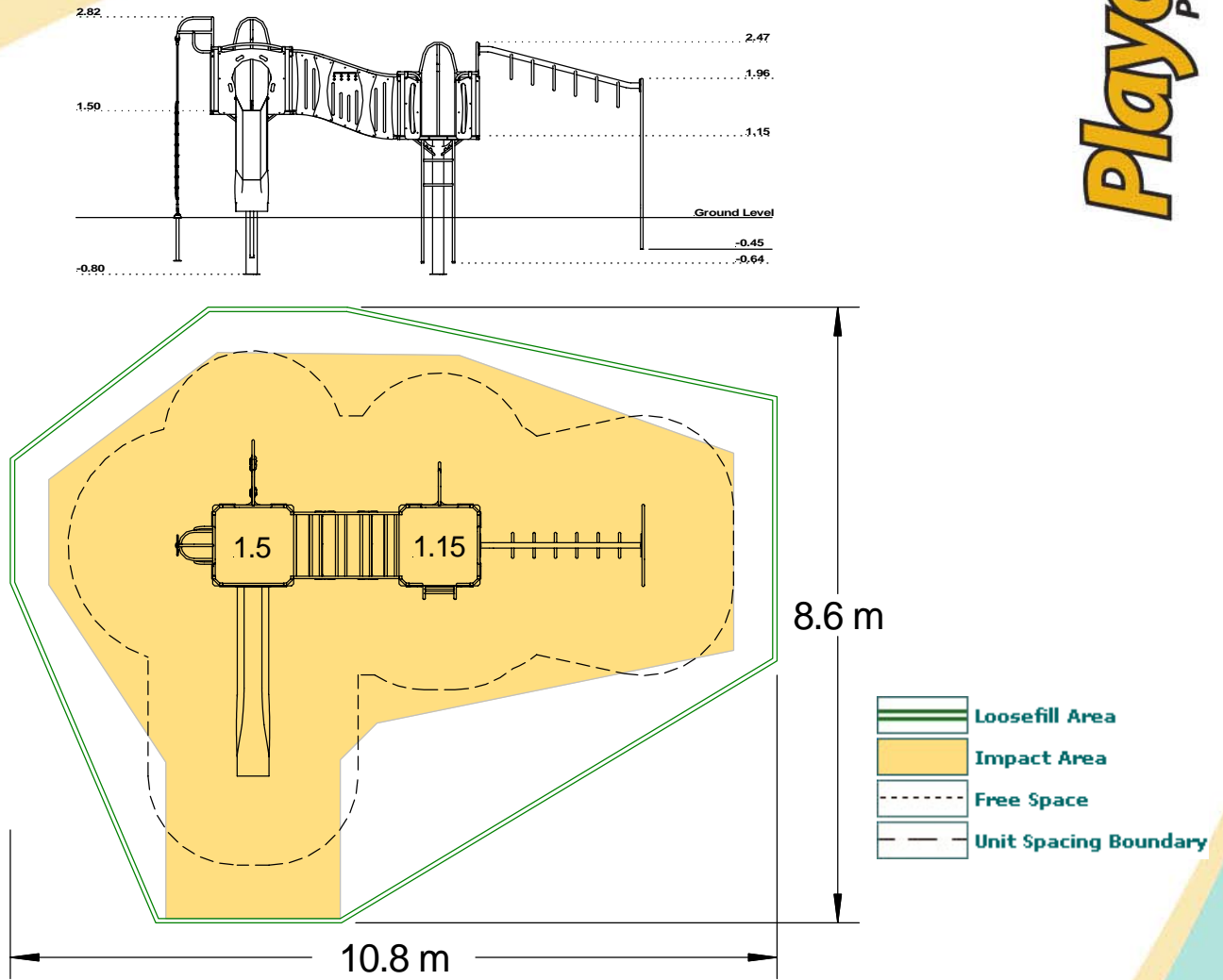


Big City – Munich



Technical Information

Equipment Dimensions

Length / Width / Height 6.6m x 4.8m x 2.9m

Surfacing and Area Required

Minimum Space Required L/W/H 10.8m x 8.6m x 4.1m

Max Gradient of Ground 1 in 50

Free Height of Fall 2.0 m

Impact Area - Wetpour 48.18m²

Loosefill at 250mm 17m³

Bark / Cushionfall / Sand

1m x 1m Rubber Tiles

Installation Information

Overall Weight 654kg

Heaviest Part 61kg

Largest Part 2.3m x 1.2m x 1.2m

Longest Part 3.2m

Concrete Required 0.7m³



KITEMARKED TO BS EN 1176