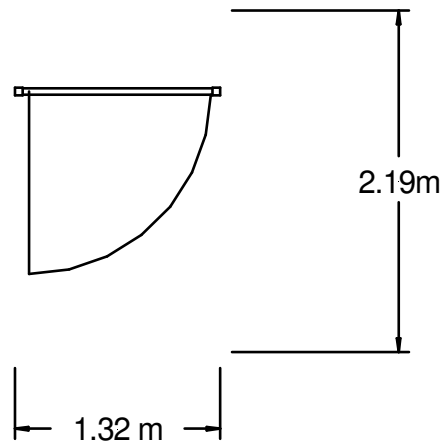
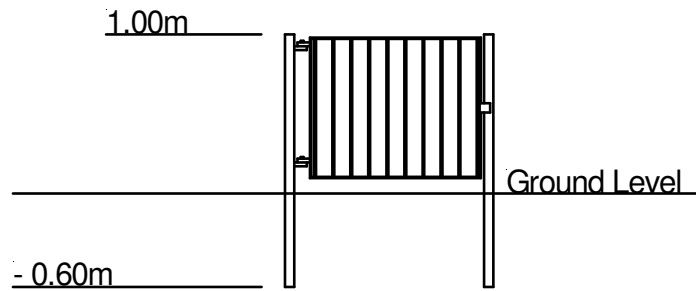


# Playground Extras – Self Closing Gate



Technical Information	
<b>Equipment Dimensions</b>	
Length / Width / Height	1.32m x 0.05m x 1.0m
<b>Surfacing and Area Required</b>	
Minimum space required L/W/H	1.32 x 2.19m x 2.2m
Max Gradient Of Ground	1 in 20
Free Height Of Fall	n/a
Impact Area - Wetpour	n/a
Loosefill At 150mm	n/a
Bark / Cushionfall / Sand	n/a
1m X 1m Rubber Tiles	n/a
<b>Installation Information</b>	
overall weight	68kg
heaviest part	26.5kg
largest part	1.18m x 0.05m x 0.9 m
longest part	1.6m x 0.05m x 0.05m
concrete required	0.11m <sup>3</sup>