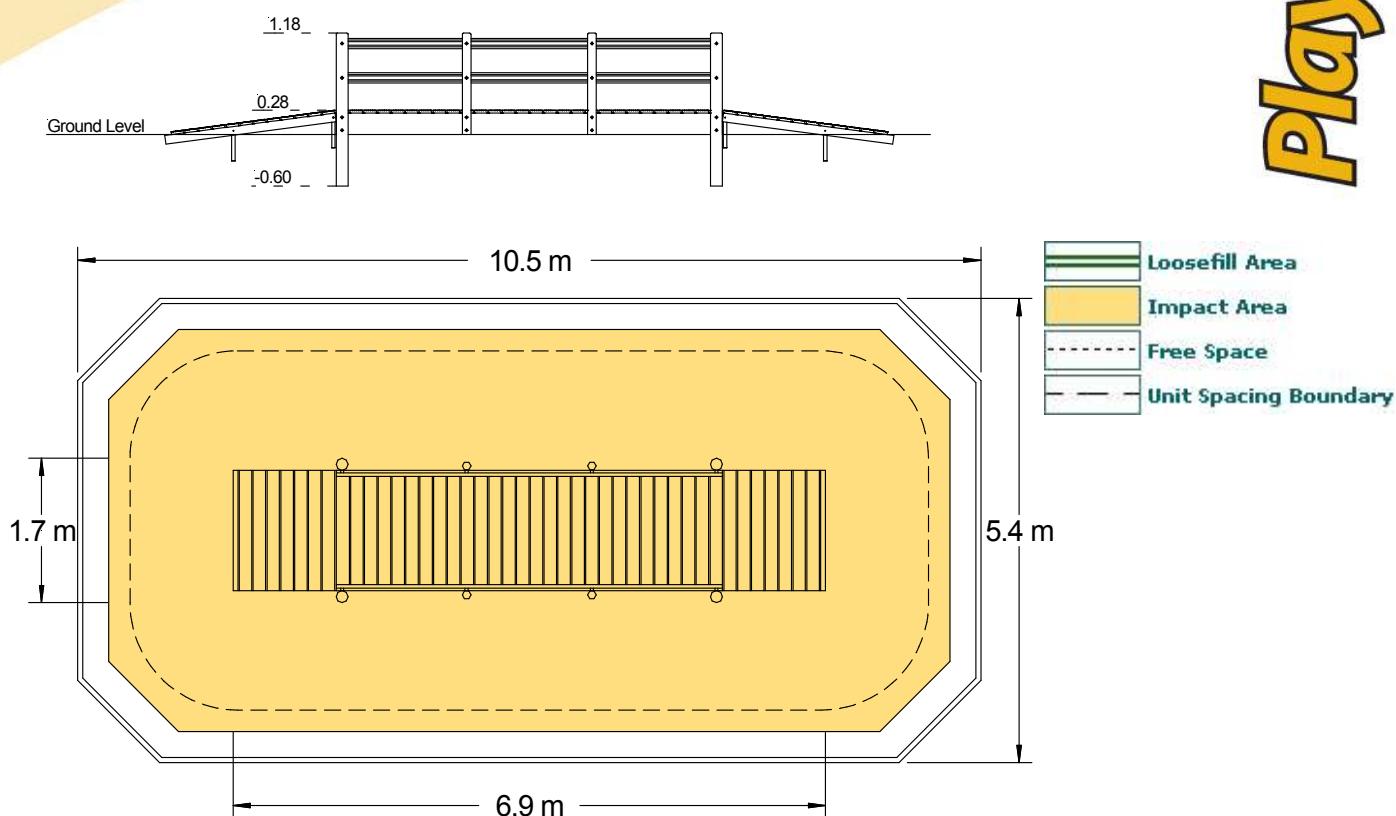


Natural Play – Timber Bridge

(with ramps)



Technical Information

Equipment Dimensions

Length / Width / Height 6.9m x 1.7m x 1.2m

Surfacing and Area Required

Minimum Space Required L/W/H 10.5m x 5.4m x 2.7m

Max Gradient Of Ground 1:20

Free Height Of Fall 300mm

Impact Area - Wetpour 44.52m²

Loosefill At 150mm 8m³

Bark / Cushionfall / Sand

1m X 1m Rubber Tiles n/a

Installation Information

overall weight 660kg

heaviest part 62kg

largest part 4.5m x 0.250m x 0.07m

longest part 4.5m

concrete required 0.34m³

KITEMARKED TO BS EN 1176